

MODEL LLB250 (L1615)

SUBMINITURE LOAD BUTTON LOAD CELL

Drawing Number: FI1053-C

INCH [mm] | R.O.= Rated Output

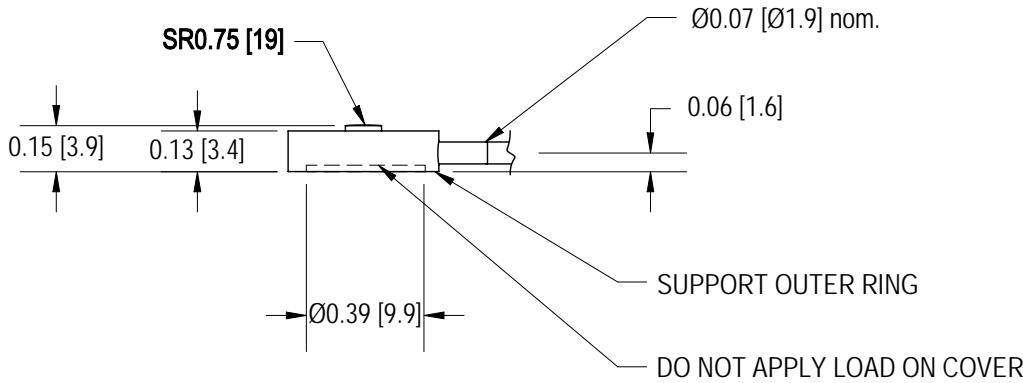
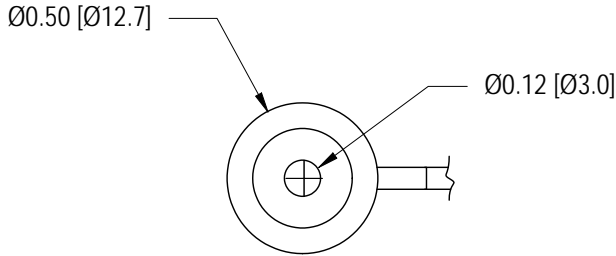
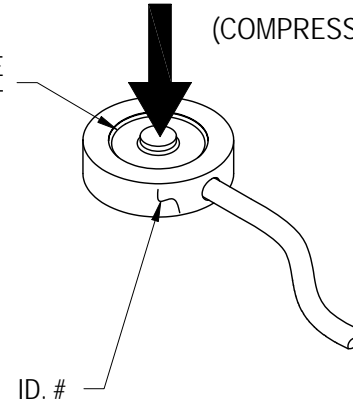
WIRING CODE (WC1)

+Excitation	-Excitation	+Signal	-Signal
RED	BLACK	GREEN	WHITE
Shield			
FLOATING			



+ OUTPUT
(COMPRESSION)

NON LOADING SURFACE
DO NOT CONTACT



SPECIFICATIONS:

RATED OUTPUT	2 mV/V nom.
SAFE OVERLOAD	150% of R.O.
ZERO BALANCE	±3% of R.O.
EXCITATION (VDC OR VAC)	7 MAX
BRIDGE RESISTANCE	350 Ω nom.
NONLINEARITY	±0.5% of R.O.
HYSTERESIS	±0.5% of R.O.
NONREPEATABILITY	±0.5% of R.O.
TEMP. SHIFT ZERO	±0.01% of R.O./°F [0.018% of R.O./°C]
TEMP. SHIFT SPAN	±0.02% of LOAD/°F [0.036% of LOAD/°C]
COMPENSATED TEMP.	60 to 160°F [15 to 72°C]
OPERATING TEMP.	-60 to 200°F [-50 to 93°C]
WEIGHT	0.5 oz [14.5 g]
MATERIAL	17-4PH S.S.
DEFLECTION	0.0005 [0.013] nom.
CABLE: #29 AWG, 4 Conductor, Spiral Shielded Teflon Cable 5 ft [1.5 m] Long	
ACCESORIES AND RELATED INSTRUMENTS AVAILABLE	
CALIBRATION (STD)	5 pt. COMPRESSION; 60.4 KΩ SHUNT CAL. VALUE
CALIBRATION TEST EXCITATION	5 VDC

CAPACITIES		
STK #	lb	N
FSH01067	100	445
FSH01596	150	667
FSH01068	250	1112

