

MODEL LCM675  
 STOCK# FSH02674

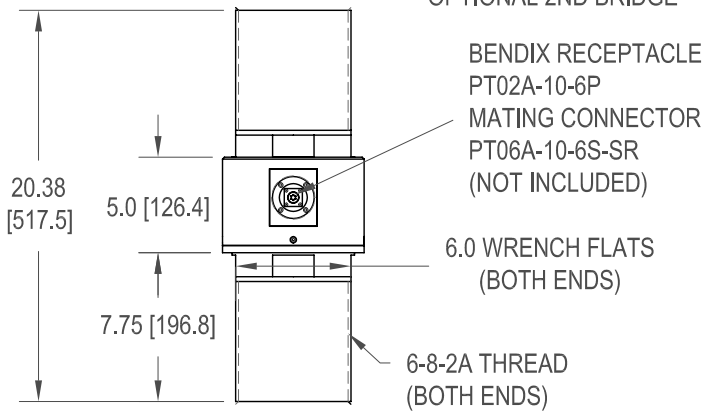
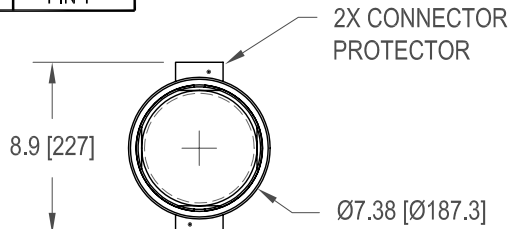
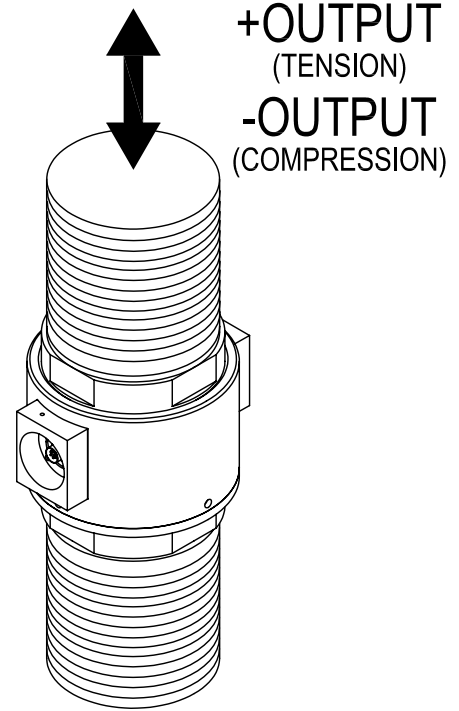
# HIGH CAPACITY THREADED ROD LOAD CELL

Drawing Number: FI1272

INCH [mm] | R.O.= Rated Output

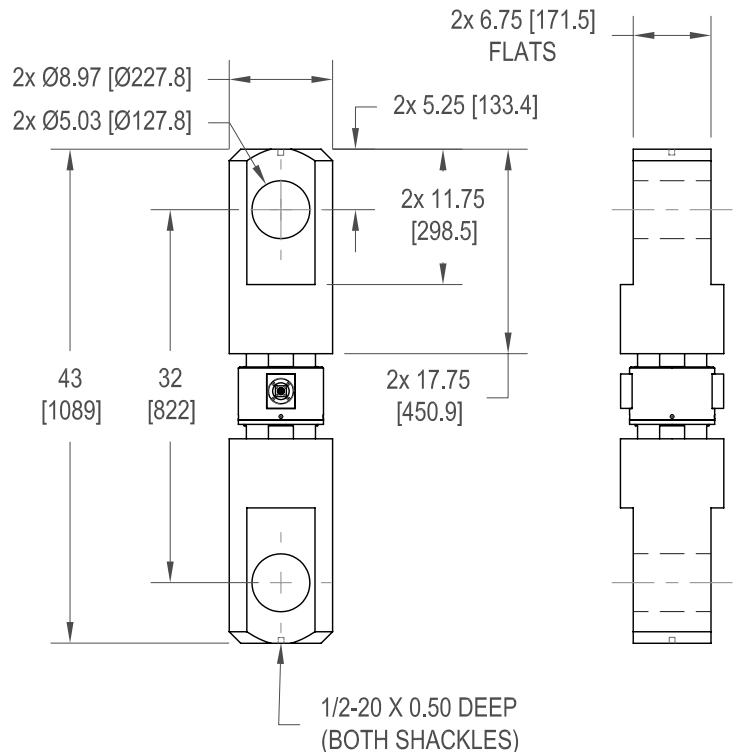
WIRING CODE (CC1)

+Excitation	-Excitation	+Signal	-Signal
RED PIN 'A'	BLACK PIN 'B'	GREEN PIN 'C'	WHITE PIN 'D'
+Sense	-Sense		
ORANGE PIN 'E'	BLUE PIN 'F'		



## OPTIONAL TONGUE SHACKLE FEMALE

STOCK# FSH02691



### SPECIFICATIONS:

RATED OUTPUT	2 mV/V nom.
CAPACITY	700000 lb
SAFE OVERLOAD	150% of R.O.
ZERO BALANCE	±3% of R.O.
EXCITATION (VDC OR VAC)	20 MAX
BRIDGE RESISTANCE	350 Ω nom
NONLINEARITY	±0.25% of R.O.
NONREPEATABILITY	±0.1% of R.O.
TEMP. SHIFT ZERO	±0.02% of R.O./°F [0.04% of R.O./°C]
TEMP. SHIFT SPAN	±0.02% of LOAD/°F [0.04% of LOAD/°C]
COMPENSATED TEMP.	60 to 160°F [15 to 72°C]
OPERATING TEMP.	-60 to 200°F [-50 to 93°C]
WEIGHT (SENSOR)	165 lb
WEIGHT (CLEVIS PIN)	205 lb
MATERIAL (FLEXURE)	17-4PH S.S.
CONNECTOR:	6 Pin Bendix Receptacle PT02A-10-6P
ACCESSORIES AND RELATED INSTRUMENTS AVAILABLE	
CALIBRATION (AVAILABLE)	5 pt TENSION and or COMPRESSION
CALIBRATION TEST EXCITATION	10 VDC
DUAL BRIDGE AVAILABLE	

