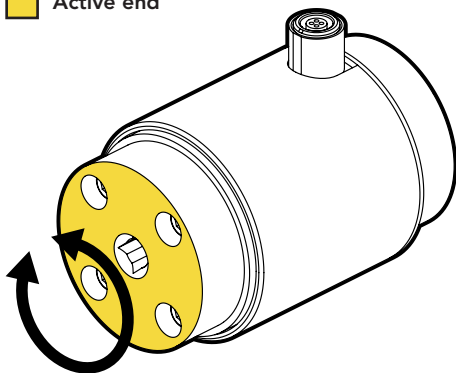




FEATURES

- Easily integrates into OEM applications
- Designed for Torque auditing
- Aluminum construction
- Built-in overload protection on lower ranges
- Strain gauge based
- Easy cable disconnect

■ Active end



- Output (CCW)
+ Output (CW)

SPECIFICATIONS

PERFORMANCE

Nonlinearity	±0.2% of RO
Hysteresis	±0.2% of RO
Nonrepeatability	±0.05% of RO

ELECTRICAL

Rated Output (RO)	1 mV/V nom (5 in-oz) 2 mV/V nom (10 in-oz to 500 in-lb)
Excitation (VDC or VAC)	18 max
Bridge Resistance	350 Ohm nom (5 to 1000 in-oz) 700 Ohm nom (100 to 500 in-lb)
Connection	4 Pin LEMO® Receptacle (EGG.0B.304.CLL)
Wiring Code	CC4

MECHANICAL

Weight (approximate)	14 oz [397 g]
Safe Overload	300% of RO (5 to 400 in-oz) 150% of RO (1000 in-oz to 500 in-lb)
Material	Aluminum
IP Rating	IP40

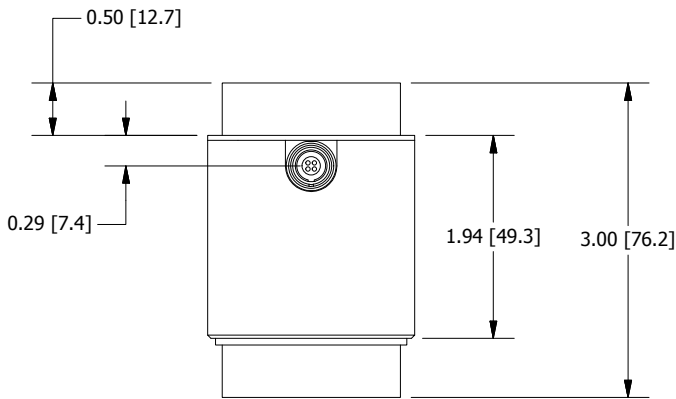
TEMPERATURE

Operating Temperature	-60 to 200°F (-50 to 93°C)
Compensated Temperature	60 to 160°F (15 to 72°C)
Temperature Shift Zero	±0.002% of RO/°F (0.0036% of RO/°C)
Temperature Shift Span	±0.002% of Load/°F (0.0036% of Load/°C)

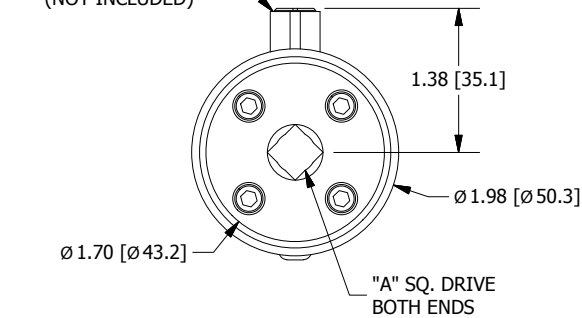
CALIBRATION

Calibration Test Excitation	10 VDC
Calibration (standard)	5-pt CW
Calibration (available)	5-pt CW & CCW
Shunt Calibration Value	60.4 kOhm (10 to 1000 in-oz) 100 kOhm (5 in-oz, 100 to 500 in-lb)

DIMENSIONS inches [mm]



LEMO RECEPTACLE
EGG.0B.304.CLL
MATING CONNECTOR
FGG.0B.304.CLAD35
(NOT INCLUDED)



CAPACITIES

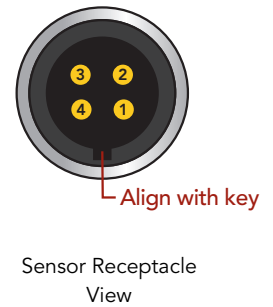
ITEM #	in-oz	Nm	A	Torsional Stiffness in-oz/rad
FSH04367	5*	0.04	1/4"	560
FSH04368	10*	0.07		560
FSH04369	50*	0.35		4200
FSH04370	160*	1.1		21000
FSH04371	400*	2.8		62400
FSH04372	1000*	7.0	3/8"	211900
FSH04373	100 in-lb	11		36400 in-lb/rad
FSH04374	200 in-lb	22		61400 in-lb/rad
FSH04375	500 in-lb	56		122000 in-lb/rad

* With overload protection

Note: For higher capacities, refer to models TFF600 and TDF600–675

LEMO 4-PIN

PIN	COLOR	DESCRIPTION
1	Red	+ Excitation
2	Green	+ Signal
3	White	- Signal
4	Black	- Excitation



Drawing Number: FI1492

FUTEK reserves the right to modify its design and specifications without notice.
Please visit <http://www.futek.com/salesterms> for complete terms and conditions.

10 Thomas, Irvine, CA 92618 USA

Tel: (949) 465-0900
Fax: (949) 465-0905

www.futek.com



U.S. Manufacturer