

# MODEL LTH300

Drawing Number: FI1006-A

INCH [mm] | R.O.= Rated Output

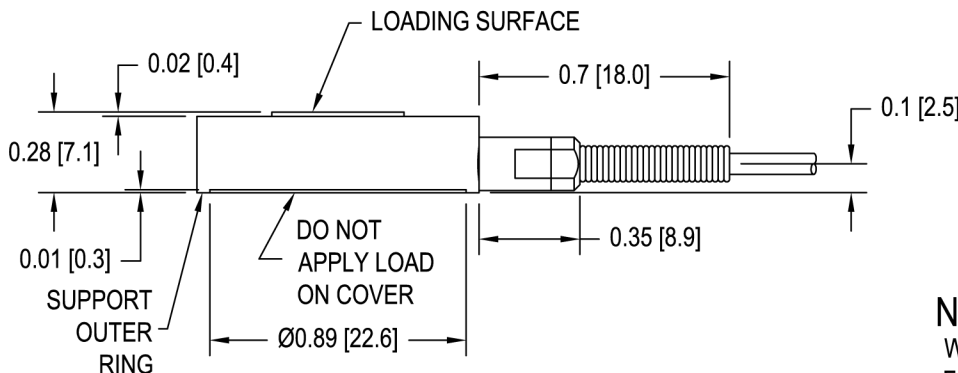
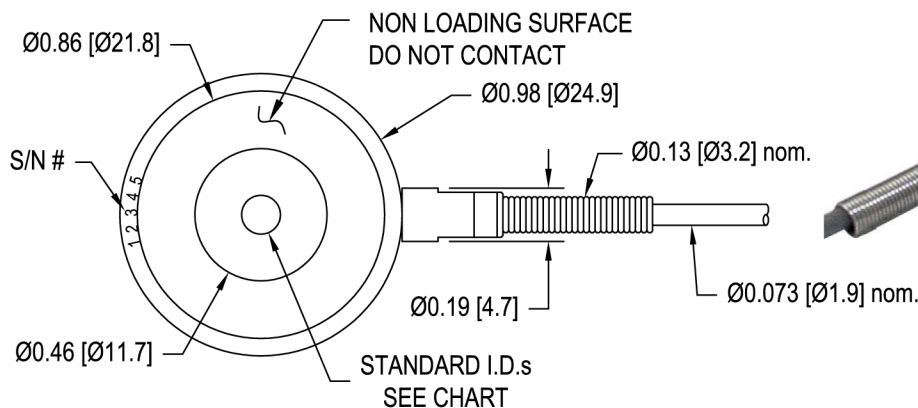
WIRING CODE (WC1)			
+Excitation	-Excitation	+Signal	-Signal
RED	BLACK	GREEN	WHITE
Shield			
FLOATING			

# DONUT/THRU HOLE LOAD CELL

AVAILABLE WITH I.D.'S FROM 1/8 TO 3/8



+ OUTPUT  
(COMPRESSION)



ID	Inner Diameter DIMENSION
1/8	0.136/0.134 [3.45/3.40]
3/16	0.199/0.197 [5.06/5.01]
1/4*	0.261/0.259 [6.63/6.58]
5/16	0.324/0.322 [8.23/8.18]
3/8*	0.386/0.384 [9.80/9.75]

## SPECIFICATIONS:

RATED OUTPUT	2 mV/V nom.
CAPACITY	50, 100*, 250, 500*, 1000* 222, 445*, 1112, 2224*, 4448*
SAFE OVERLOAD	150% of R.O.
ZERO BALANCE	±1% of R.O.
EXCITATION (VDC OR VAC)	18 MAX
BRIDGE RESISTANCE	700 Ω nom.
NONLINEARITY	±0.5% of R.O.
HYSTERESIS	±0.5% of R.O.
NONREPEATABILITY	±0.5% of R.O.
TEMP. SHIFT ZERO	±0.005% of R.O./°F [0.01% of R.O./°C]
TEMP. SHIFT SPAN	±0.005% of LOAD/°F [0.01% of LOAD/°C]
COMPENSATED TEMP.	60 to 160°F [15 to 72°C]
OPERATING TEMP.	-60 to 200°F [-50 to 93°C]
WEIGHT	2 oz [57 g]
MATERIAL	17-4PH S.S.
DEFLECTION	0.002 [0.05] nom.
CABLE: #29 AWG, 4 Conductor, Spiral Shielded Teflon Cable 10 ft [3 m] Long	
ACCESORIES AND RELATED INSTRUMENTS AVAILABLE	
CALIBRATION (STD)	5 pt. COMPRESSION; 100kΩ SHUNT CAL. VALUE
CALIBRATION TEST EXCITATION	10 VDC

## NOTE:

WHILE TORQUING BOLTS, HIGH TENSION FORCES WILL OCCUR DURING INSTALLATION, WHICH COULD RESULT IN OVERLOADING THE SENSOR. FUTEK RECOMMENDS CONNECTING SENSOR TO A SYSTEM IN ORDER TO MONITOR THE APPLIED FORCES. FUTEK IS NOT LIABLE OR RESPONSIBLE FOR THE MISHANDLING OF THE SENSOR DURING INSTALLATION.

\* COMMONLY STOCKED CAPACITIES AND INNER DIAMETERS



¡Tu sitio de automatización!