

MODEL LSM250 (L2331)

PARALLELOGRAM LOAD CELL WITH OVERLOAD PROTECTION (OEM TYPE)

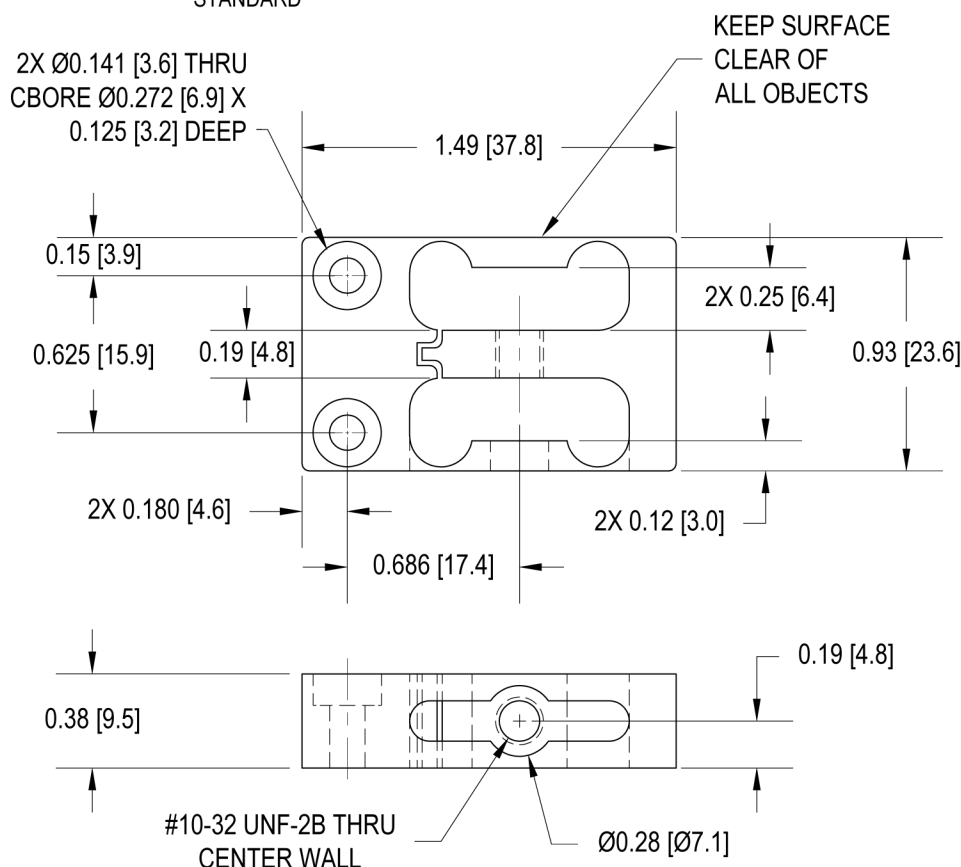
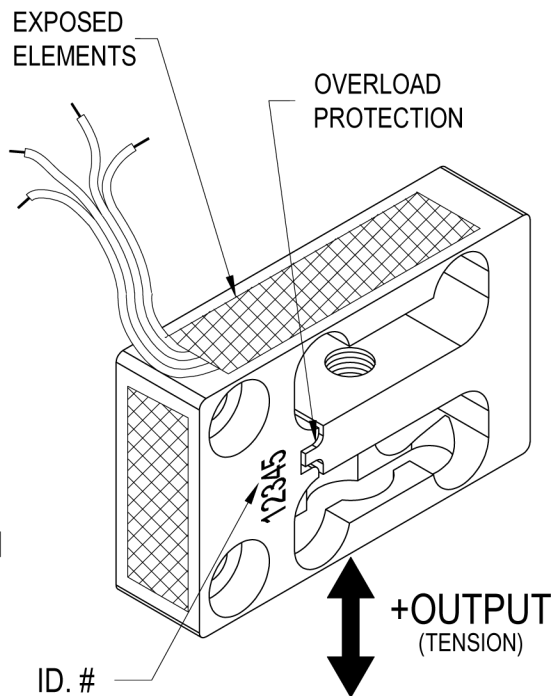
Drawing Number: FI1039

INCH [mm] | R.O.= Rated Output

WIRING CODE (WC2)

+Excitation	-Excitation	+Signal	-Signal
GREEN	BLACK	WHITE	RED

COLOR CODE FOR THIS SENSOR IS NOT FUTEK STANDARD



NOTE:

**** HANDLE WITH CARE, ALWAYS MONITOR OUTPUT DURING INSTALLATION. ****

Stock #	CAPACITY	
	lb	N
FSH00011	1/4	1.1
FSH00012	1/2	2.2
FSH00013	1	4.5

FOR HIGHER CAPACITIES REFER TO MODEL LSM300 (L2330)

SPECIFICATIONS:

RATED OUTPUT	2 mV/V nom.	
SAFE OVERLOAD	50 lb	
ZERO BALANCE	±3% of R.O.	
EXCITATION (VDC OR VAC)	18 MAX	
BRIDGE RESISTANCE	1000 Ω nom.	
NONLINEARITY	±0.05% of R.O.	IMPROVED ACCURACY AVAILABLE CONTACT FACTORY
HYSTERESIS	±0.05% of R.O.	
NONREPEATABILITY	±0.05% of R.O.	
CREEP	±0.05% of LOAD.	
TEMP. SHIFT ZERO	±0.005% of R.O./°F [0.01% of R.O./°C]	
TEMP. SHIFT SPAN	±0.005% of LOAD/°F [0.01% of LOAD/°C]	
COMPENSATED TEMP.	60 to 160 °F [15 to 72 °C]	
OPERATING TEMP.	-60 to 200 °F [-50 to 93 °C]	
WEIGHT	1 oz [28 g]	
MATERIAL	ALUMINUM	
NOM. DEFLECTION	0.004 [0.10]	
CABLE: #29 AWG, 4 Conductor, Spiral Teflon Cable 6 [0.3 m] Long		
ACCESSORIES AND RELATED INSTRUMENTS AVAILABLE		
CALIBRATION (STD)	2 pt. TENSION; 150KΩ SHUNT CAL. VALUE	
CALIBRATION (AVAILABLE)	2 pt. COMPRESSION	
CALIBRATION TEST EXCITATION	10 VDC	

