

TPM-3610PW

IP66/69K Protected 10.1" Stainless Steel Industrial Monitor with Wide Projected Capacitive Touch



Features

- IP66/69K Protected Stainless Steel 316 Flat Panel Design
- 10.1" LCD, Projected Capacitive, Resolution 1280 x 800
- 12 ~ 24 V DC power input (M12 Connector)
- VGA and USB Touch (M12 Connector), HDMI (IP67 Connector Option)
- VESA and Yoke mounting

Applications

- Food & Beverage Processing Industrial
- Pharmaceutical and Biopharmaceutical Equipment
- Embedded HMI Display System
- Factory Manufacturing Automation
- Chemical, Gas & Oil Critical Environment

→ Packing List

Description
1 xTPM-3610PW

→ Optional Items

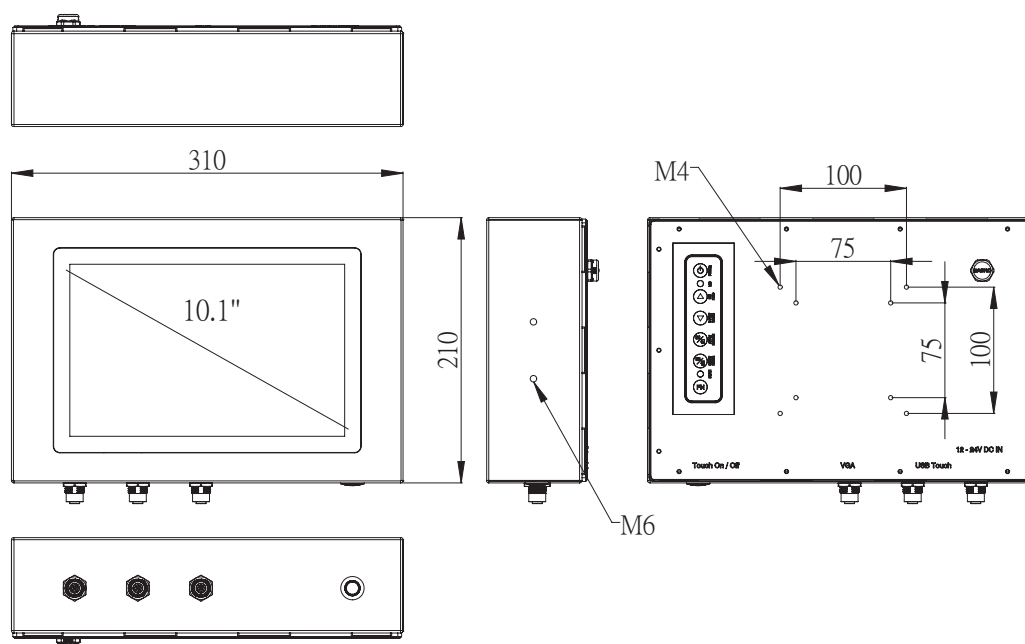
Part No.	Description
APW-60M12V-01	12V, 60W, 5A, 5-pin M12 Connector (US)
APW-60M12V-02	12V, 60W, 5A, 5-pin M12 Connector (EU)
AKT-TOU2M12	M12 Connector to Touch Cable, 2m
AKT-VGA2M12-M	M12 Connector to DB15 Male Cable, 2m
AKT-HDMI2IP67	IP67 Connector to HDMI Cable, 2m

→ Ordering Information

Part No.	Description
TPM-3610PW-B6A1	10.1" 16:9 (1280 x 800), 500nits, Stainless Steel 316 Full IP66/69K Protection, with Projected capacitive touch screen, USB interface,1 VGA, DC 12~24V, M12 connector

TPM-3610PW

→ Dimensions



→ Specifications

Model		TPM-3610PW-B6A1
LCD Panel	Panel Size	10.1"
	Aspect Ratio	16:9
	Resolution	1280 x 800
	Viewing Angle	70 x 80 (H) x 80 x 80 (V)
	Brightness	500 (cd/m ²)
	Contrast Ratio	1000:1
	Life Time	50,000 hrs
Touchscreen	Type	Projected Capacitive
	Surface Hardness	3 Mohs
	Transparency	80% (±3%)
	On/Off Button	N/A
I/O Interface	Video Interface	1 VGA (M12 Connector), 1 HDMI (IP67 Waterproof Connector, Option)
	Touch Interface	1 USB (M12 Connector)
	Audio	NA
	Speaker	NA
	Others	NA
OSD Control	Function Key	6 Keys: Menu, Up, Down, Auto Adjust, Monitor Power on/off, Function Key
Power	Power Input	12-24 V DC power input, single power source
	Power Connector	M12 connector
	Power Consumption	9 W
Mounting	VESA Mount	75mmx 75mm; 100mm x 100mm
	Panel Mount	N/A
	Others	Yoke mount
Environment	Operating Temperature	-20~60° C (-4~140° F)
	Storage Temperature	-20~60° C (-4~140° F)
	Humidity	5~95% @ 40° C, non-condensing
	Vibration	1 Grms, IEC 60068-2-64, random, 5~500 Hz, 1 Oct/min., 1hr/axis, x, y, z 3 axes
	Shock	20 G, IEC 60068-2-27, half sine, 11 ms duration
General	Certification	TBD
	Material, Surface Finish	Stainless Steel 316, Brush Finished
	True Flat	Yes
	Ingress Protection	Full System IP66/69K Protection
	Dimensions (W x H x D)	310 x 79.5 x 210 mm (12.2"x 3.13"x 8.26")
	Net Weight	4.3 kg (9.47lb)
	Operating System	Windows 7/8.1/10, WE57, WE8S, Linux Fedora, Ubuntu