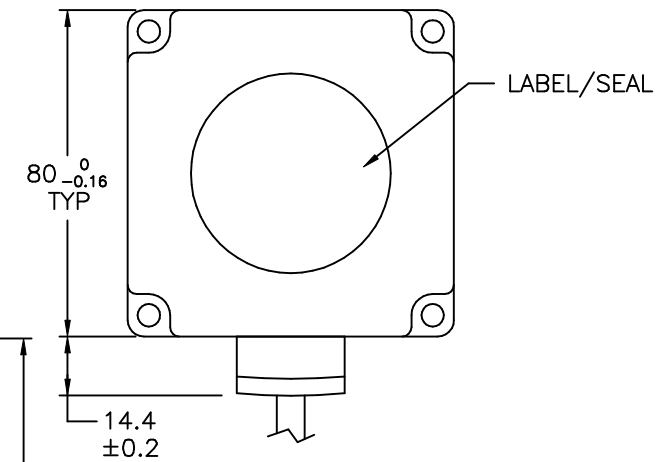
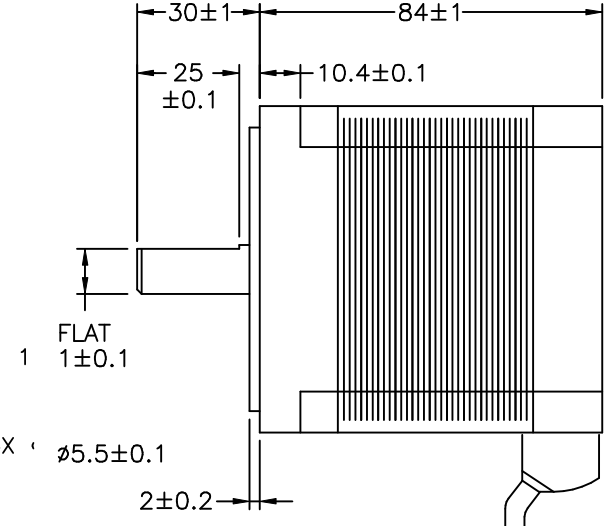
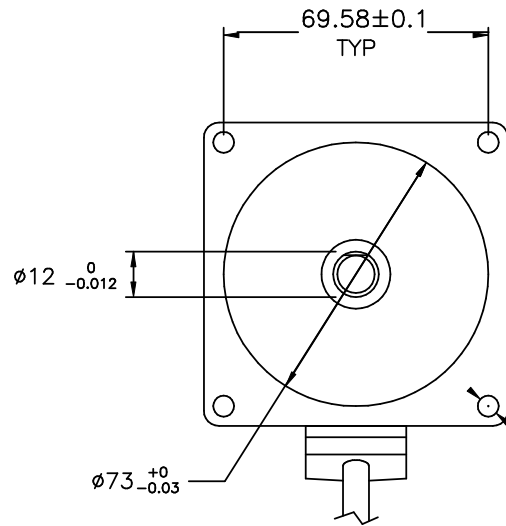
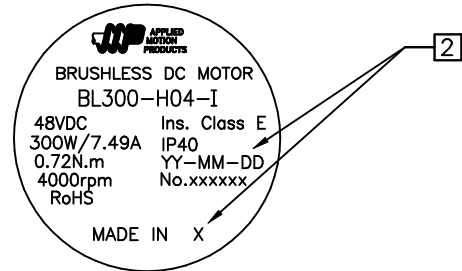


REVISIONS				
REV	ECO	DESCRIPTION	DATE	APPROVED
A	6852	INITIAL RELEASE	12/11/13	J KORDIK
B	6904	SPEC CHANGES	1/29/14	J KORDIK
C	7452	REVISE RoHS NOTE	6/14/16	J KORDIK



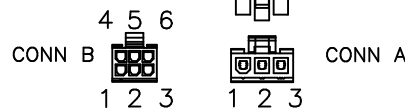
LABEL/SEAL DETAIL



PVC TUBING
HEAT SHRINK

CONNECTOR: MOLEX 43025-0600 (BLK)
TERMINALS: MOLEX 43030-0005

CONNECTOR: MOLEX 39-01-4031(WHT)
TERMINALS: MOLEX 39-00-0207



MOTOR CONNECTIONS				
WIRE COLOR	FUNCTION	CONNECTOR	PIN#	AWG
ORANGE	U	CONN A	2	16
YELLOW	V	CONN A	3	16
BLUE	W	CONN A	1	16
ORANGE	HU	CONN B	6	24
BLUE	HW	CONN B	4	24
YELLOW	HV	CONN B	3	24
BLACK	GND	CONN B	5	24
RED	VCC (+5V)	CONN B	1	24
-	N/C	CONN B	2	-

TOLERANCES	THIRD ANGLE PROJECTION
DECIMALS: MM (INCH) X.XXX = ± (.005) X.XX = ±0.13 (.010) X.X = ±0.25 (.020)	
ANGLES: MACH. = ±.5° CHAM. = ±5°	APPROVALS
COMPUTER DATA BASE DRAWING	DATE
	DRAWN: R.JONEZ
	CHECKED: R.BARRICK
	APPROVED

APPLIED MOTION PRODUCTS, INC.		
BRUSHLESS DC MOTOR OUTLINE		
B	DWG NO. BL300-H04-I	REV C
SCALE: NONE	SHEET 1 OF 2	

