



IES208-4F

DIN-Rail or Wall Mounting

8-Port 100M Unmanaged Industrial Ethernet Switch

- Support 4 100M copper ports and 4 100M fiber ports
- Support dual power redundancy, input voltage 12~48VDC
- Support -40~75 wide operating temperature range
- Support IP40 protection grade



Industrial Grade



Fanless Design



RPS

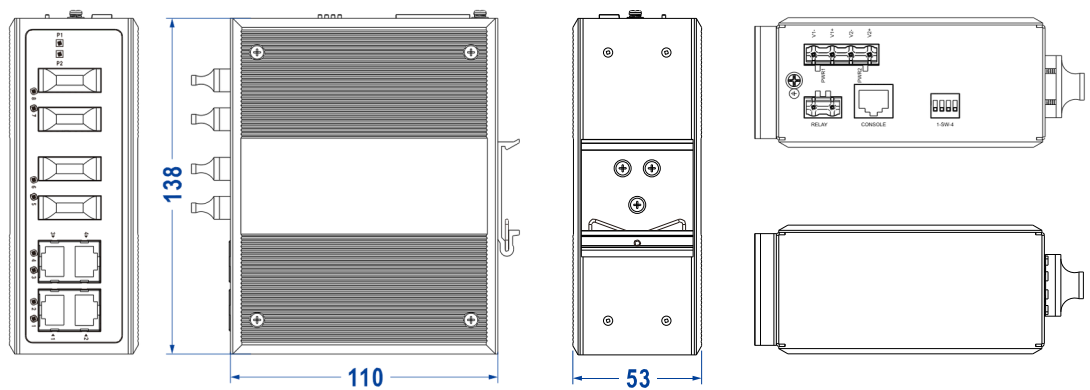
Introduction

IES208-4F is 8-port 100M unmanaged industrial Ethernet switch. This product provides 100M copper port, 100M fiber port, and it adopts DIN-Rail or wall mounting which can meet the requirements of different scenes.

Hardware adopts fanless, low power consumption, wide temperature and voltage design and has passed rigorous industrial standard tests, which can suit for the industrial scene environment with harsh requirements for EMC. It can be widely used in smart city, rail transit, smart city, safety city, new energy, intelligent manufacturing and other industrial fields.

Dimension

Unit: mm



Specification

Standard & Protocol	IEEE 802.3 for 10Base-T IEEE 802.3u for 100Base-TX and 100Base-FX
Interface	100M copper port: 10/100Base-T(X), RJ45, Automatic Flow Control, Full/Half Duplex Mode, MDI/ MDI-X Autotuning 100M fiber port: 100Base-FX, optional SC/ST/FC Console port : reserved Relay alarm: reserved
Indicator	Power supply indicator, interface indicator
Switch Property	Transmission mode: store and forward

MAC address: 2K
Buffer: 1Mbit
Backplane bandwidth: 2G
Switch time delay: <10 μ s

Power Supply	12~48VDC dual power supply redundancy, which uses 4-pin 7.62mm pitch terminal blocks, supports non-polarity
Power Consumption	No-load: 4.93W@12VDC Full-load: 6.40W@12VDC
Working Environment	Operating temperature: -40~75 °C Storage temperature: -40~85 °C Relative humidity: 5%~95% (no condensation)
Physical Characteristic	Housing: IP40 protection, high-strength corrugated metal Installation: DIN-Rail mounting (standard) or wall mounting (optional) Dimension (W x H x D): 53mm×138mm×110mm Weight: ≤ 720g
Industrial Standard	IEC 61000-4-2 (ESD, electrostatic discharge), Level 3 IEC 61000-4-4 (EFT, electrical fast transient pulses), Level 3 IEC 61000-4-5 (Surge), Level 3 Shock: IEC60068-2-27 Free fall: IEC60068-2-23 Vibration: IES 60068-2-6
Authentication	CE, FCC, RoHS
Warranty	5 years

Ordering Information

Available Models	100M Copper Port	100M Fiber Port	Power Supply
IES208-4F	4	4	12~48VDC dual power supply



Address: 3/B, Zone 1, Baiwangxin High Technology Industrial Park, Song Bai Road,

Nanshan District, Shenzhen, 518108, China

TEL: +86-755-23702668 ext 835 FAX: +86-755-26703485

E-mail: ics@3onedata.com

Website: www.3onedata.com

Please scan the QR code for more details

*Product pictures and technical data in this datasheet are only for reference. Updates are subject to change without prior notice. The final interpretation right is reserved by 3onedata.